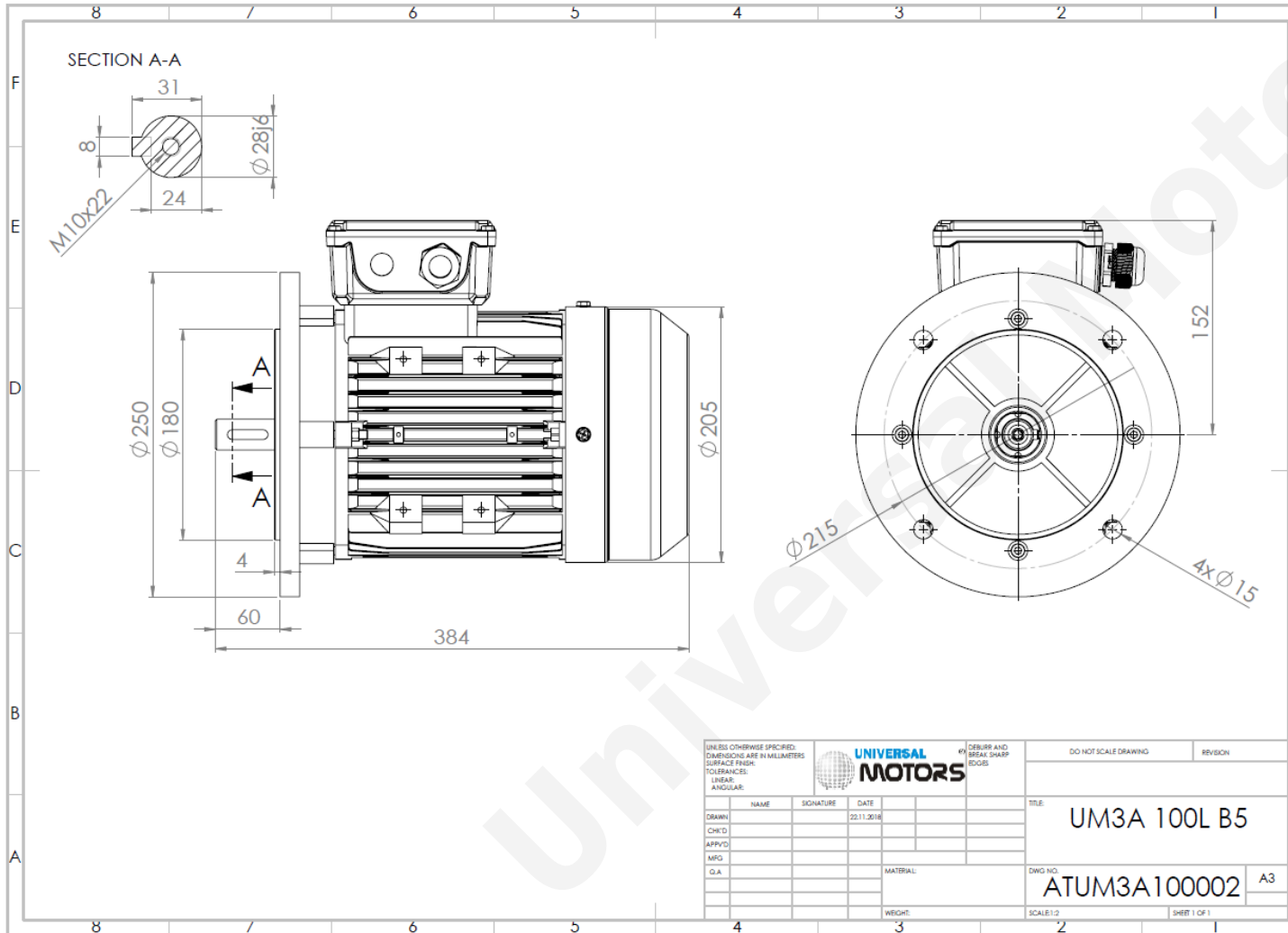




# TECHNICAL DATA

Three Phase Electric Motors - Aluminum Frame  
 PE31 100L2-4  
 3 kW / 4 Cv  
 1450 RPM



Motor type:	<b>PE31 100L2-4</b>
Output:	<b>3 kW / 4 Cv</b>
Speed ( $\text{min}^{-1}$ ):	<b>1450 RPM</b>
Frequency:	<b>50 Hz</b>
Voltage:	<b>400 V</b>
Current:	<b>6.0 A</b>
Power factor ( $\text{Cos } \phi$ ):	<b>0.82</b>
Poles:	<b>4</b>
Insulation class:	<b>F</b>
Temperature rise Class:	<b>B</b>
Efficiency 50%:	<b>85.5 %</b>
Efficiency 75%:	<b>86.4 %</b>
Efficiency 100%:	<b>87.7 %</b>
Torque:	<b>19.8 N.m</b>
Tstarting/Tnominal:	<b>2.3</b>
Istarting/Inominal:	<b>7.6</b>
Tmaximum/Tnominal:	<b>2.3</b>
Noise:	<b>70 Db(A)</b>
Weight:	<b>30 Kg</b>
Bearing DE:	<b>6206 2Z C3</b>
Bearing NDE:	<b>6206 2Z C3</b>

Regime - S1

Altitude - 1000m

Environment Temperature - 40°C

## CONTACTS:

UNIVERSAL MOTORS Tel: +351 252 299 080  
 Rua de São Brás,745 Fax: +351 252 299 089  
 4480-782 VILA DO CONDE Mail: [geral@universalmotors.pt](mailto:geral@universalmotors.pt)

\* References applied only in the UK